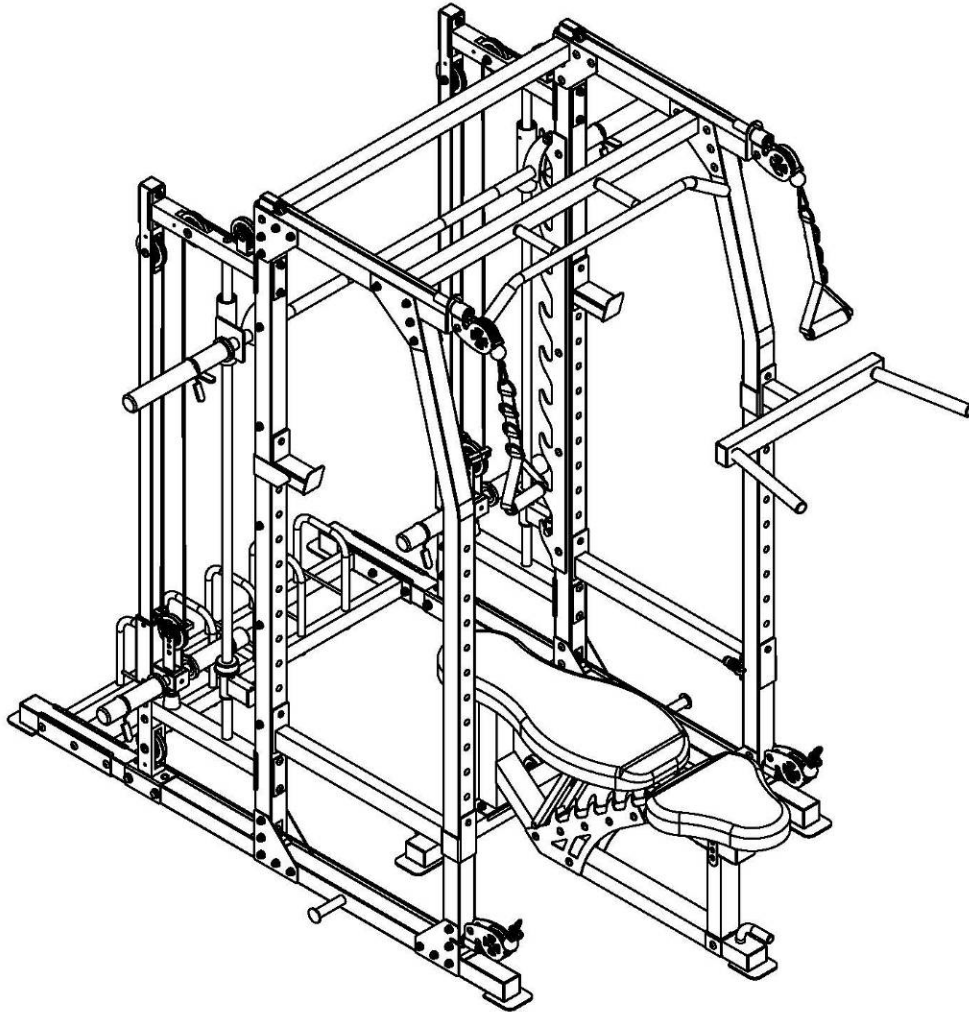


MARCY®

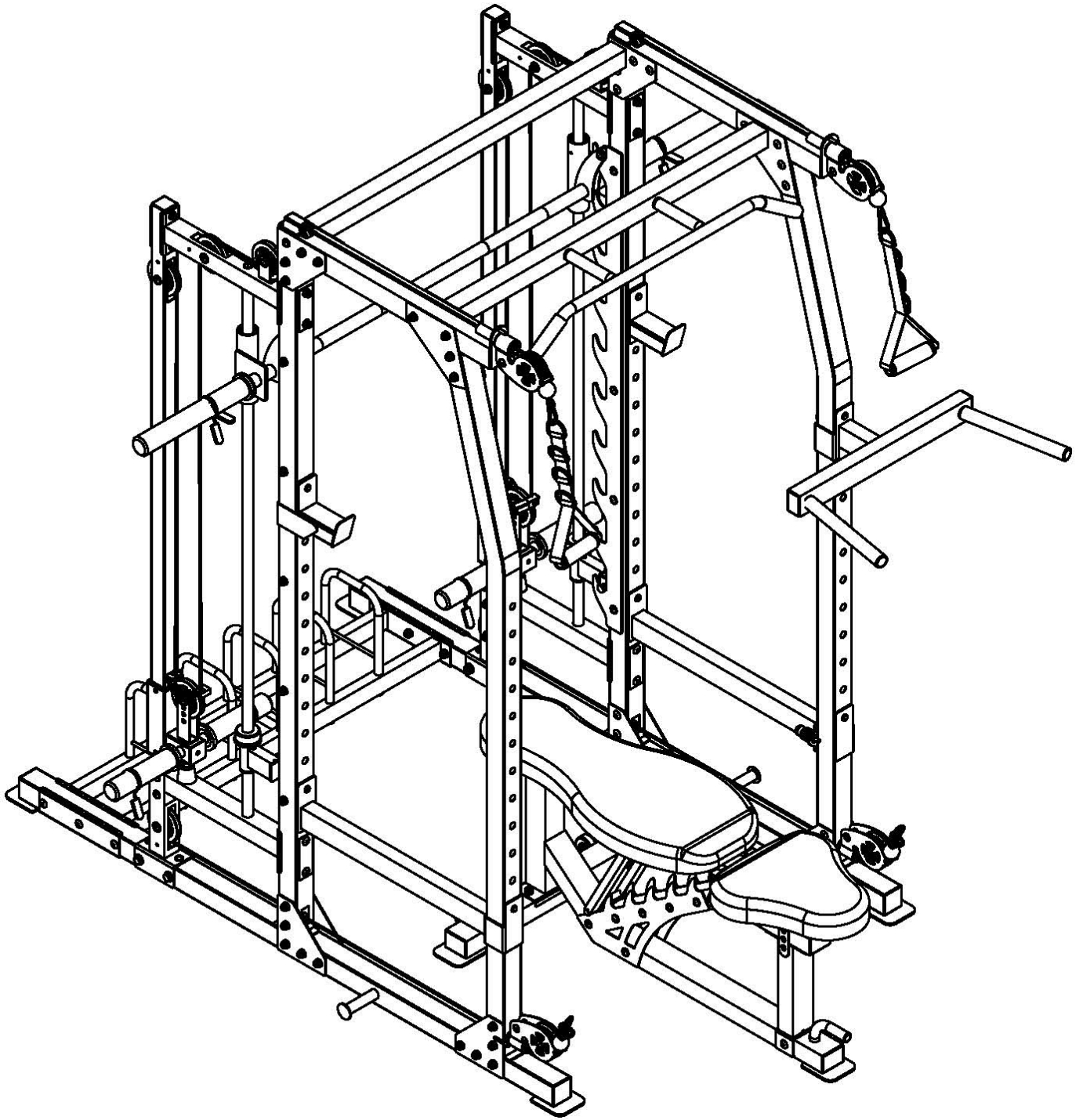
MARCY PRO SMITH MACHINE SM-7362

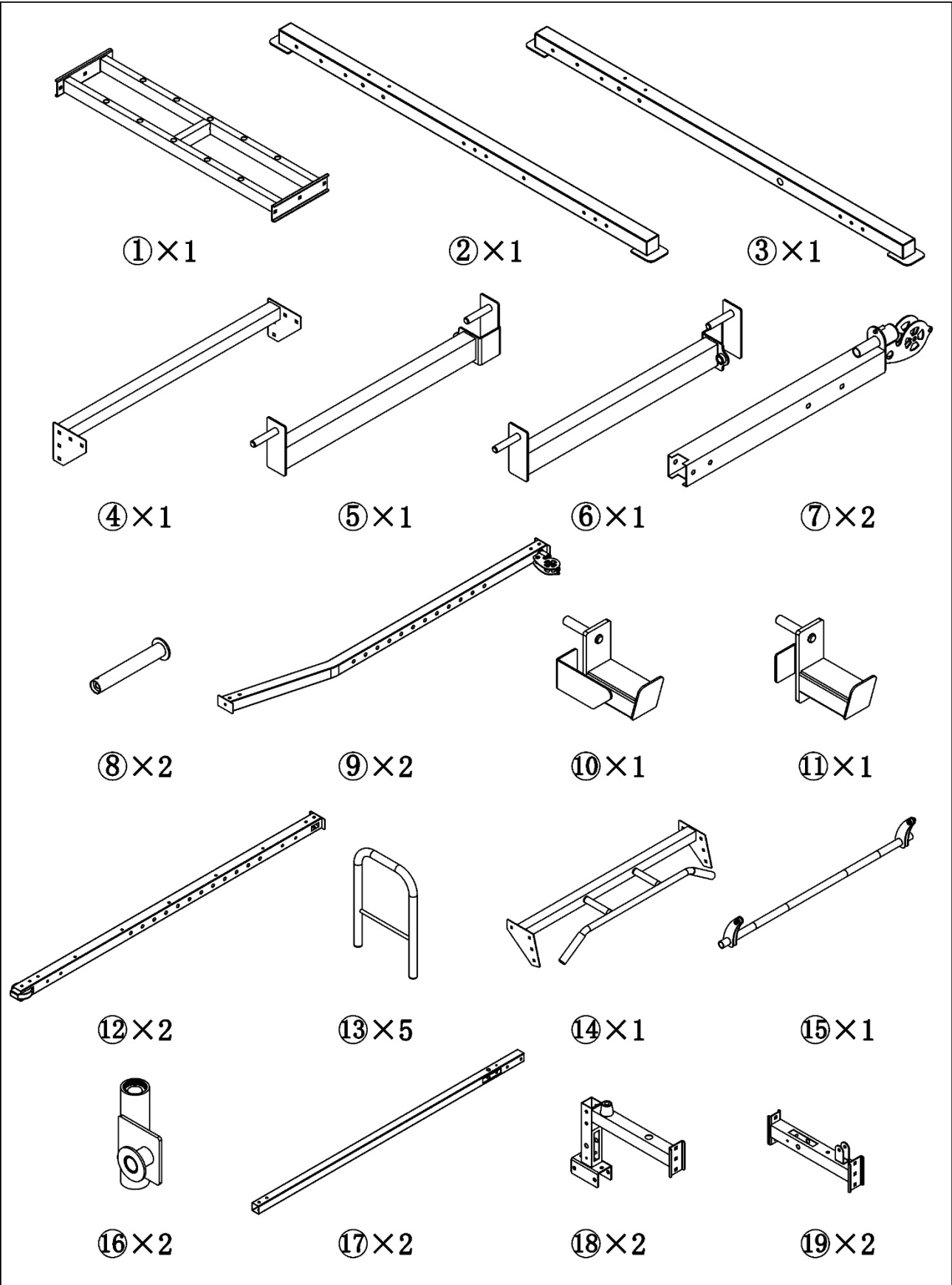


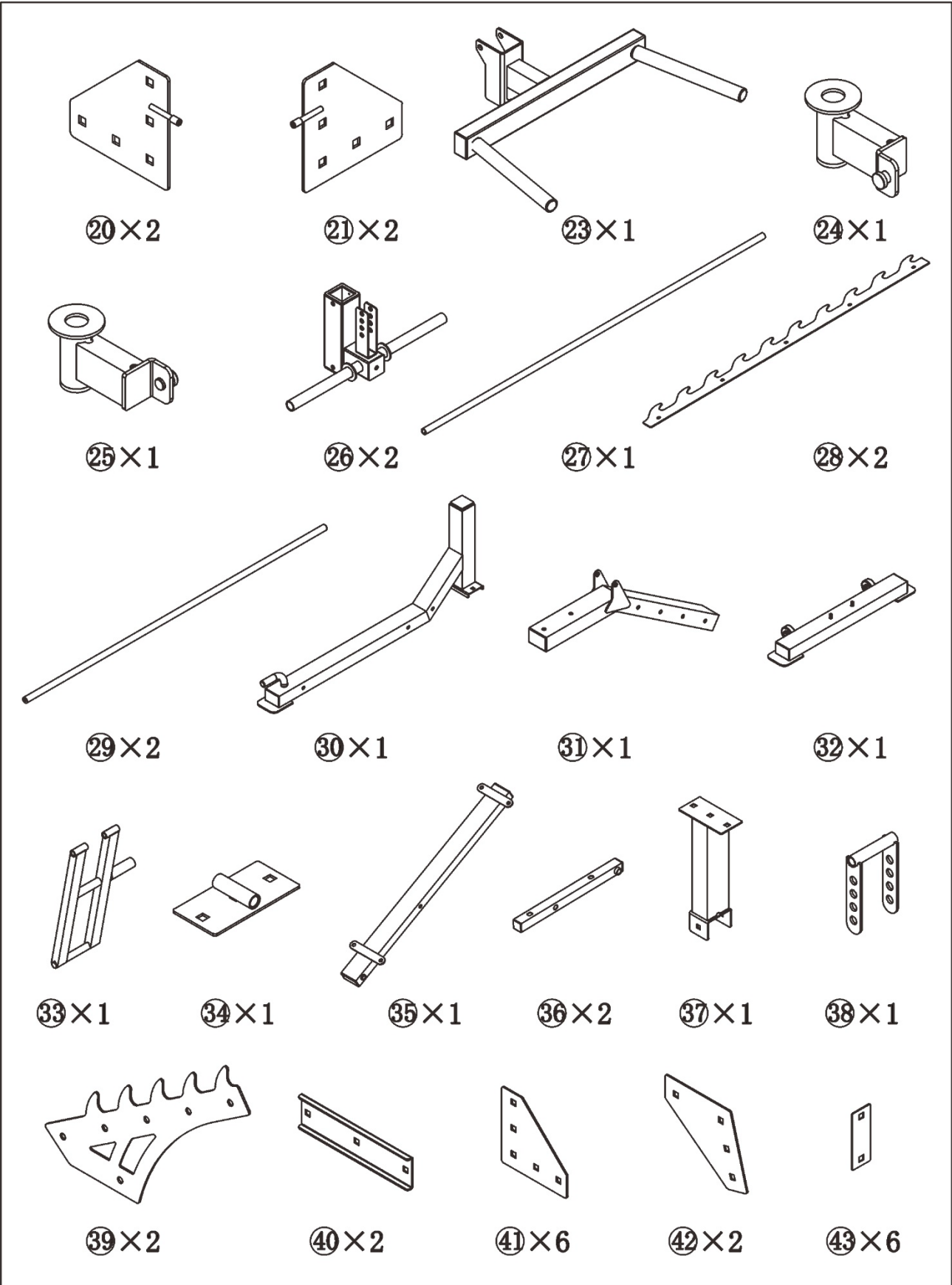
IMPORTANT: Please read the Important Safety Notice and Assembly Information in the Owner's manual before assembling this product.

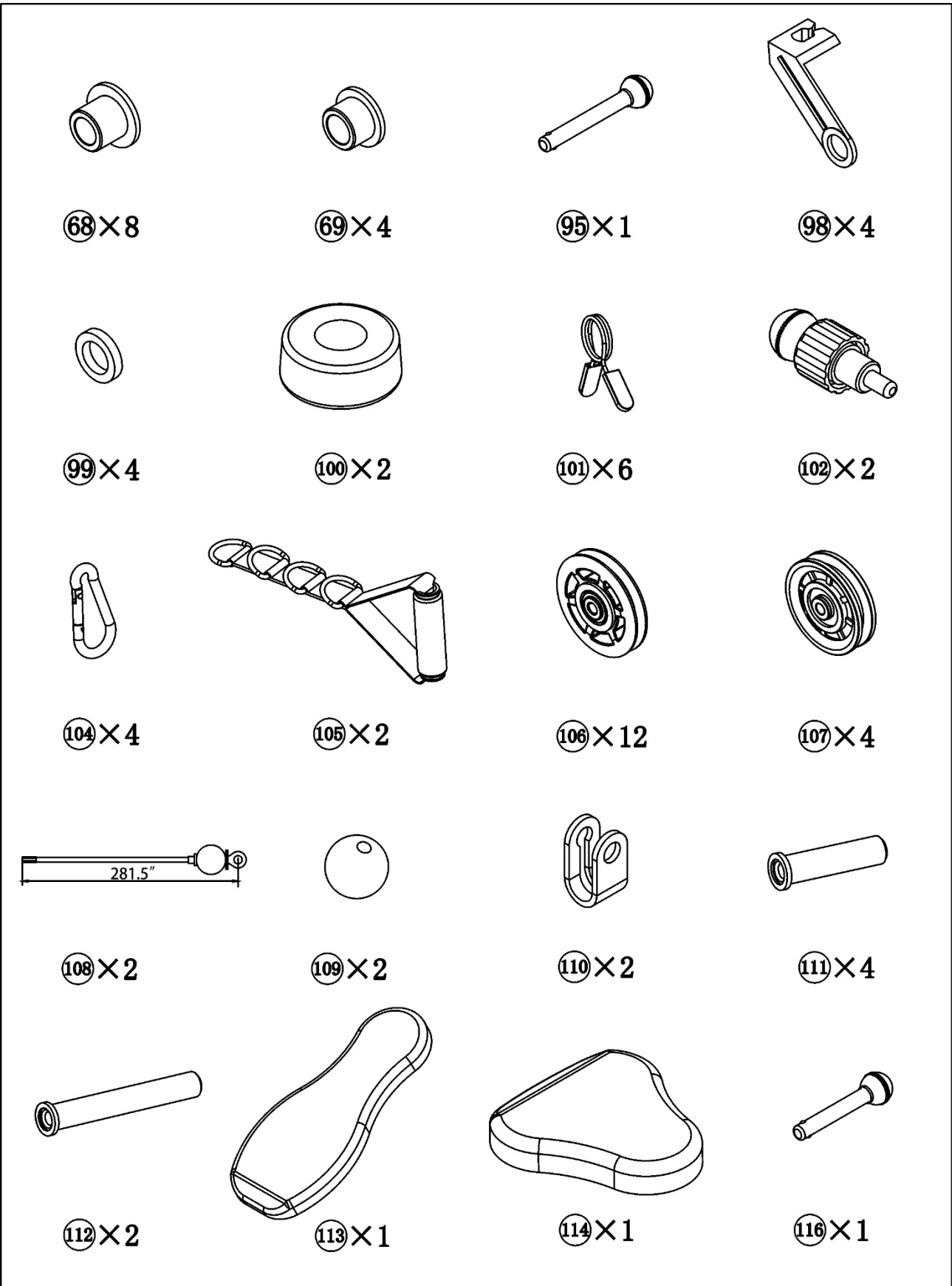
Assembly Manual

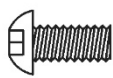
220325







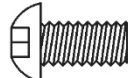




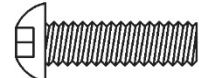
44 × 4



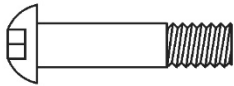
45 × 4



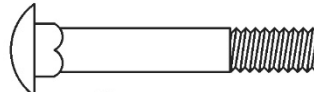
46 × 10



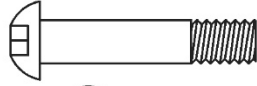
47 × 2



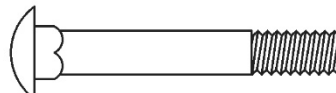
49 × 6



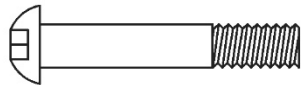
58 × 4



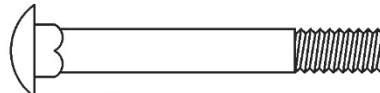
50 × 2



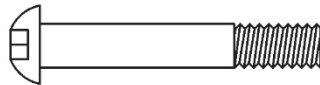
59 × 2



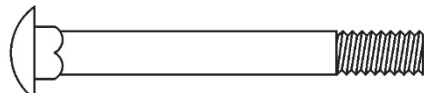
51 × 2



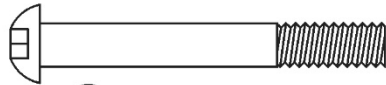
60 × 50



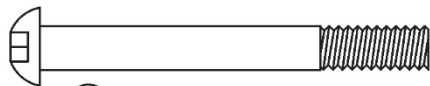
52 × 8



115 × 1



53 × 12



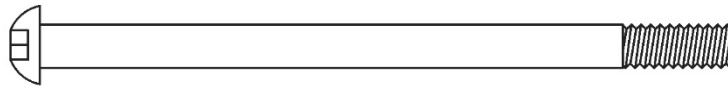
54 × 6



61 × 8



62 × 133



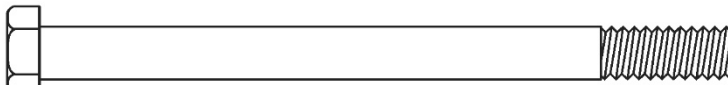
55 × 1



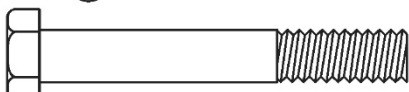
63 × 12



64 × 2



56 × 2



57 × 4



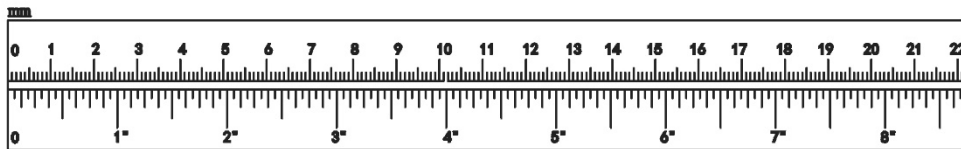
71 × 2



66 × 96



67 × 6

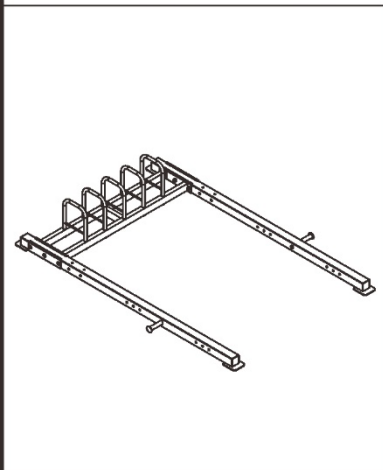
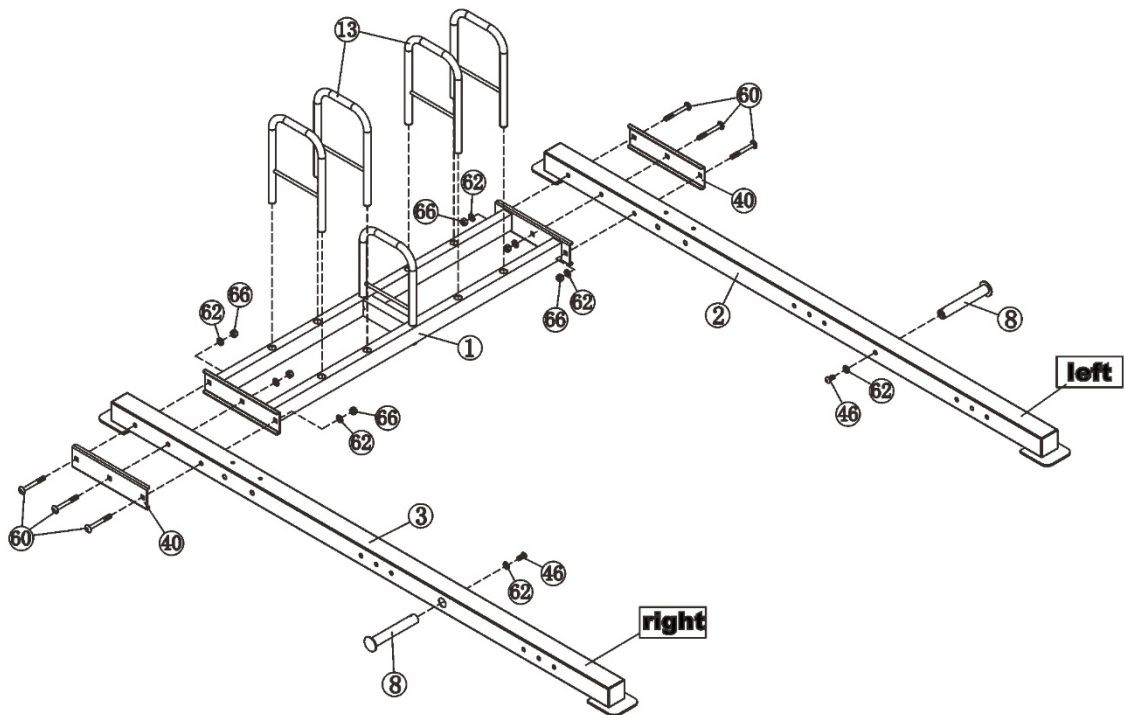
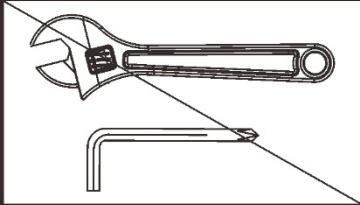


46  2 M10 × 3/4"

60  6 M10 × 3 1/8"

62  8 Ø 3/4"

66  6 M10

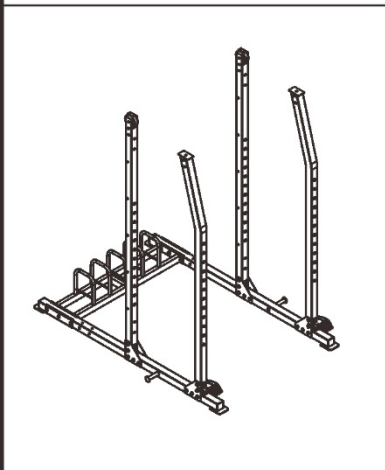
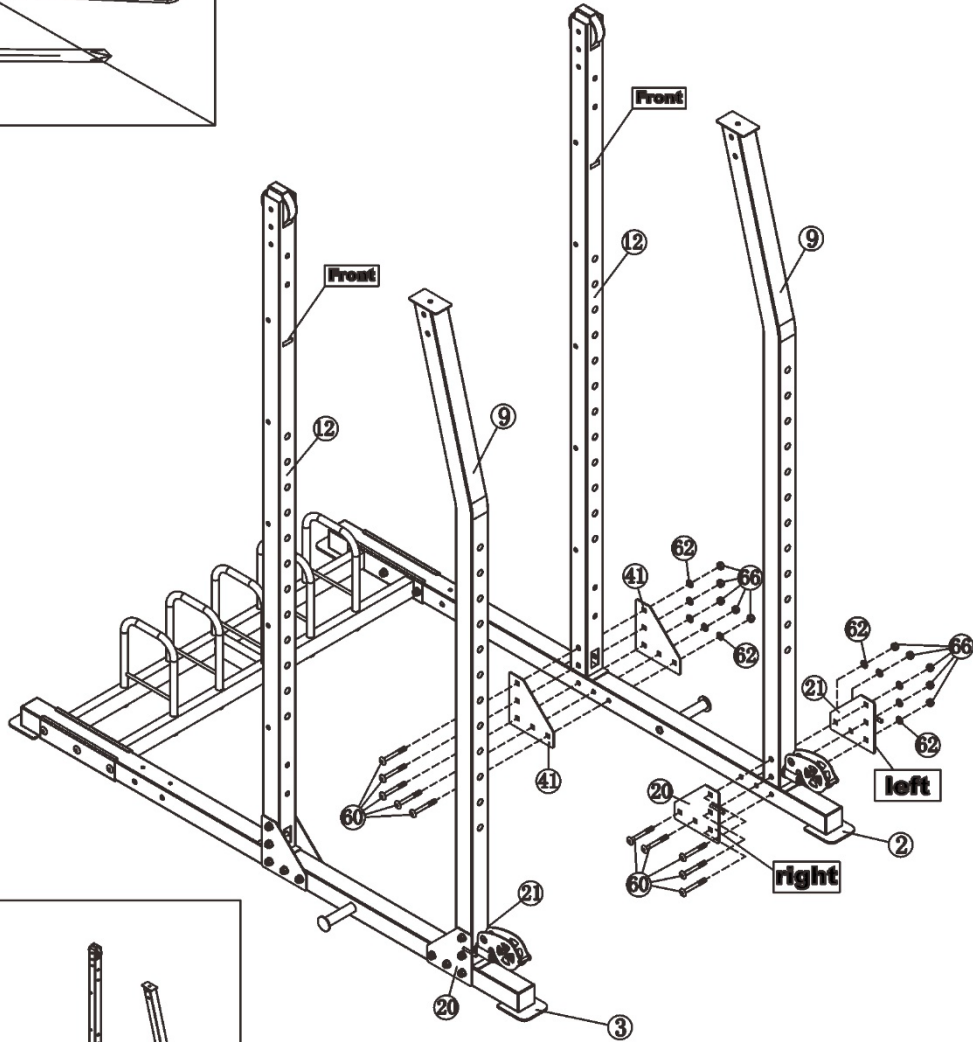
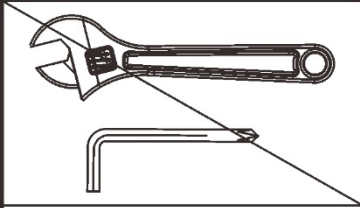


1

60  20 M10×3 1/8"

62  20 Ø 3/4"

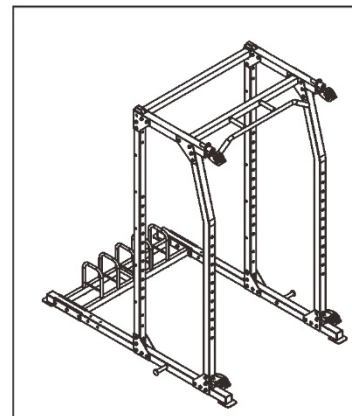
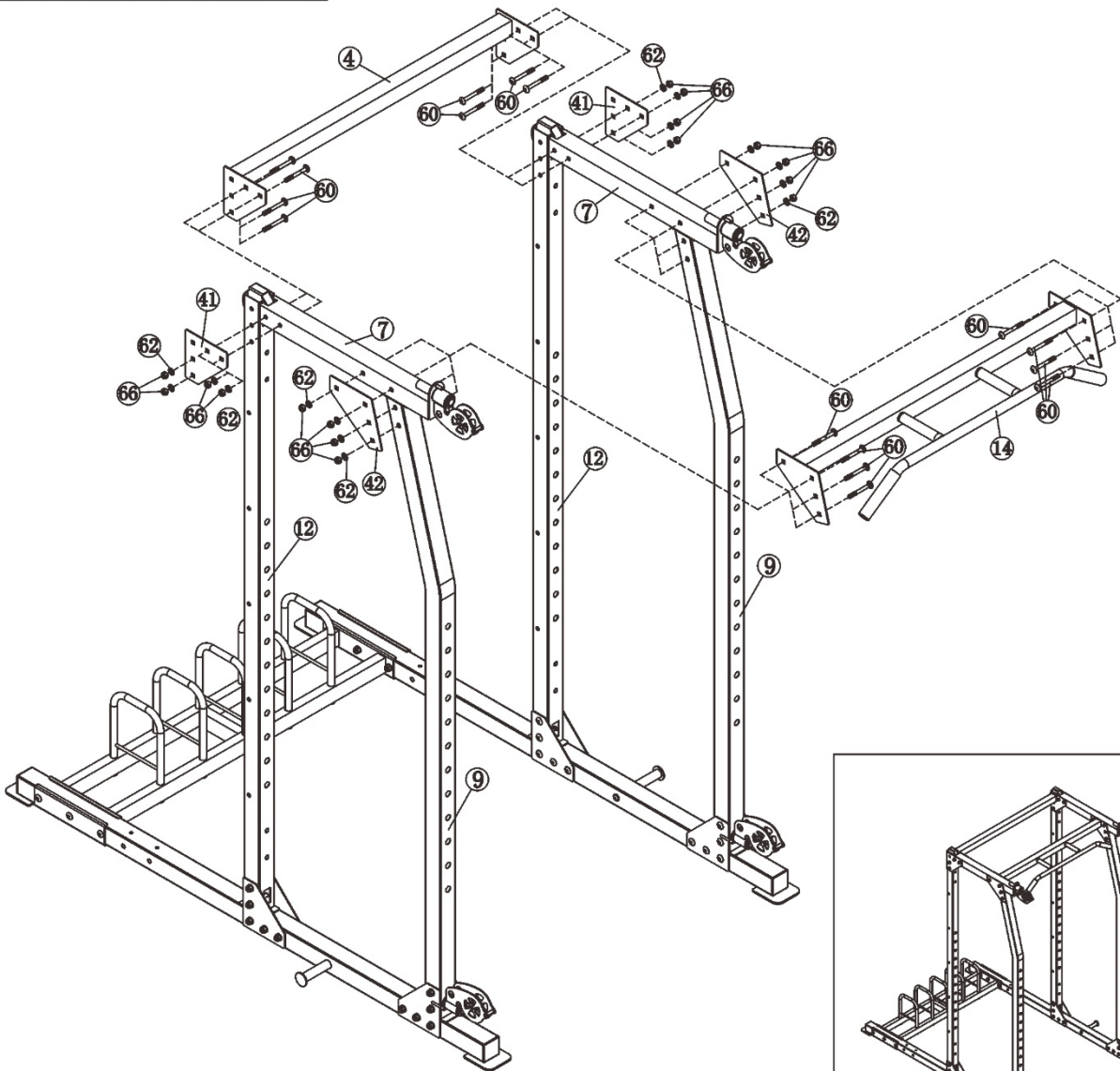
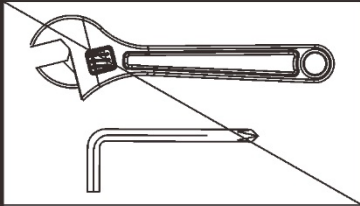
66  20 M10



60  16 M10×3 1/8"

62  16 Ø 3/4"

66  16 M10





3

④⑥  4 M10 × 3/4"

⑤⑦  4 M12 × 3 3/8"

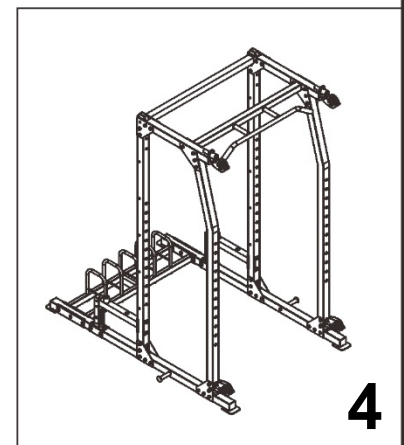
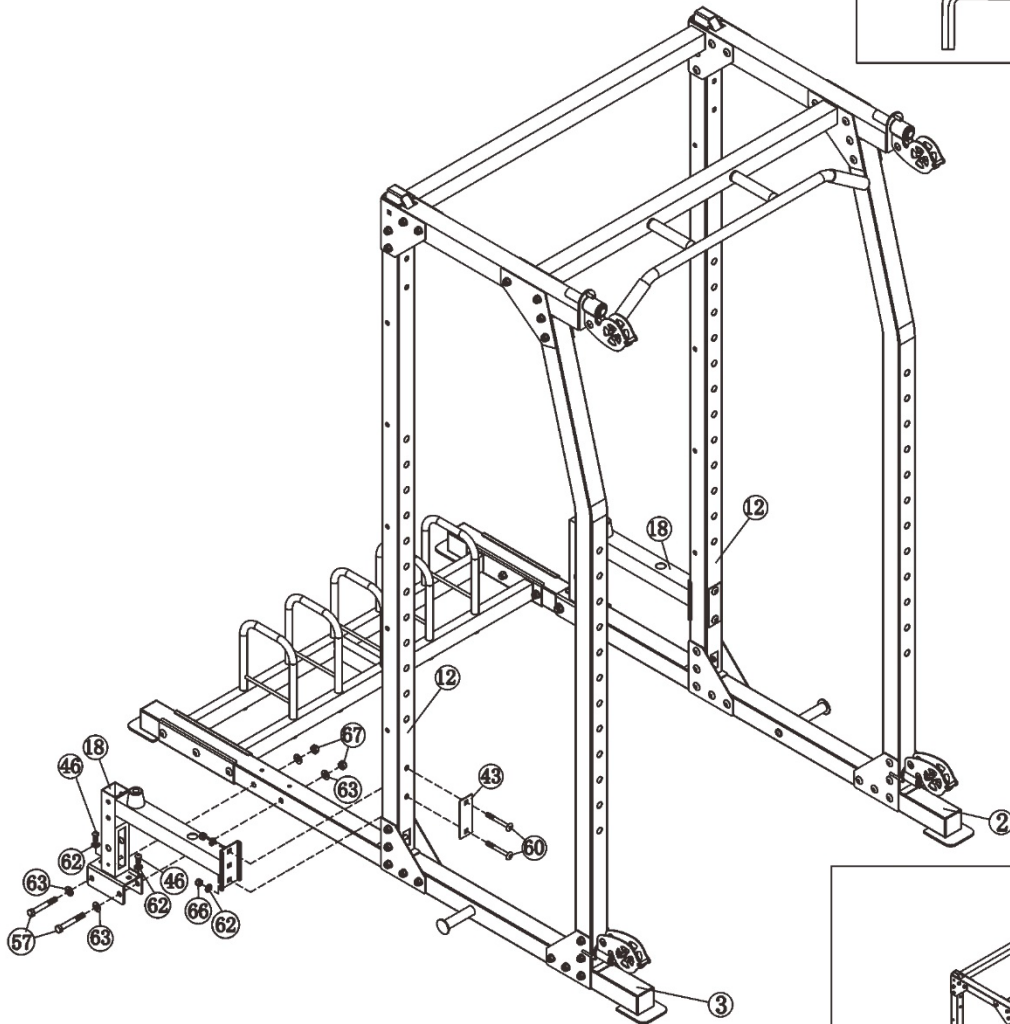
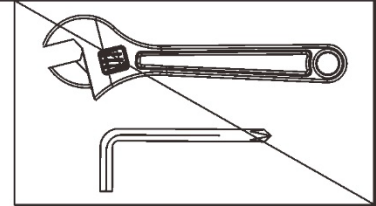
⑥⑩  4 M10 × 3 1/8"

⑥②  8 Ø 3/4"

⑥③  8 Ø 1"

⑥⑥  4 M10

⑥⑦  4 M12

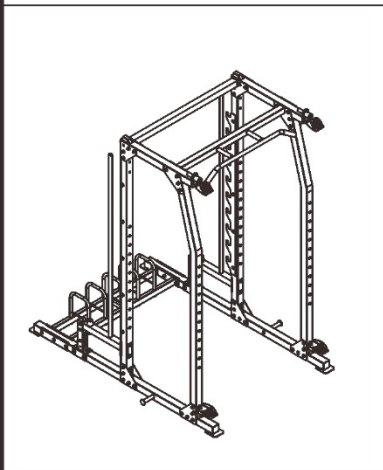
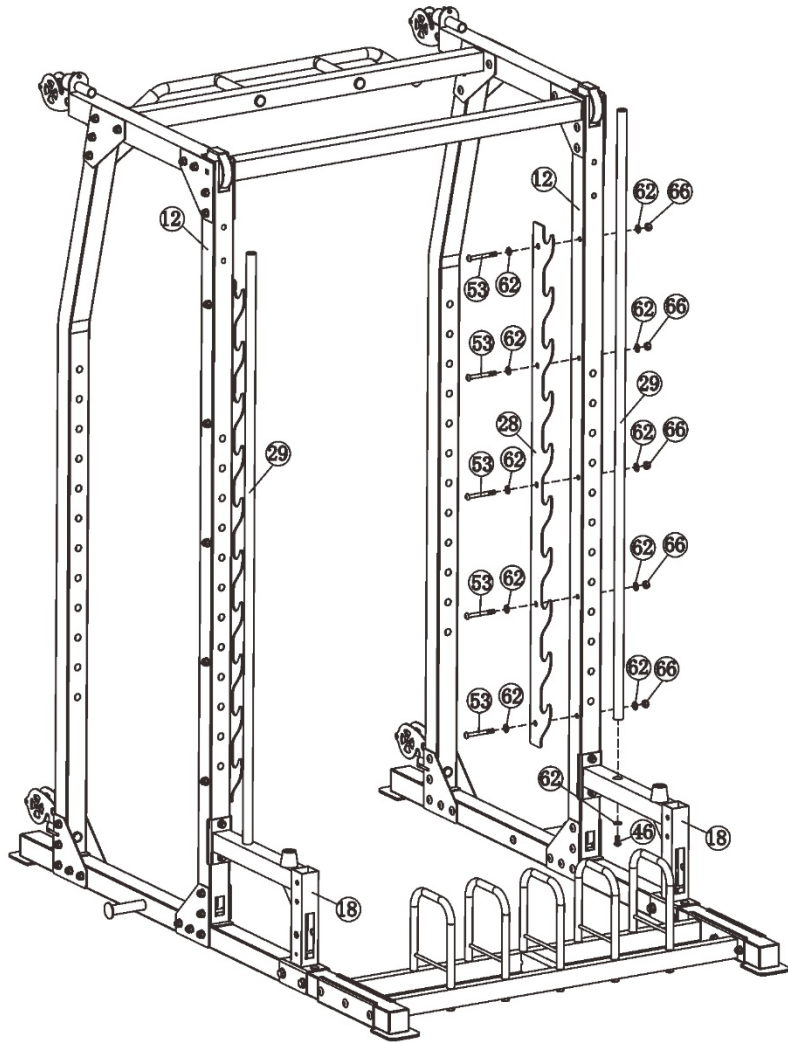
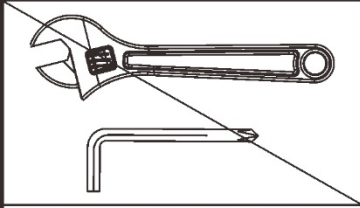


④⑥  2 M10× $\frac{3}{4}$ "

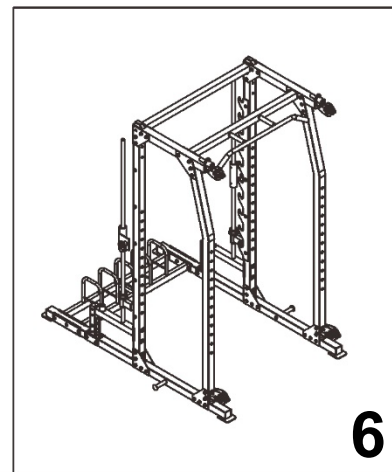
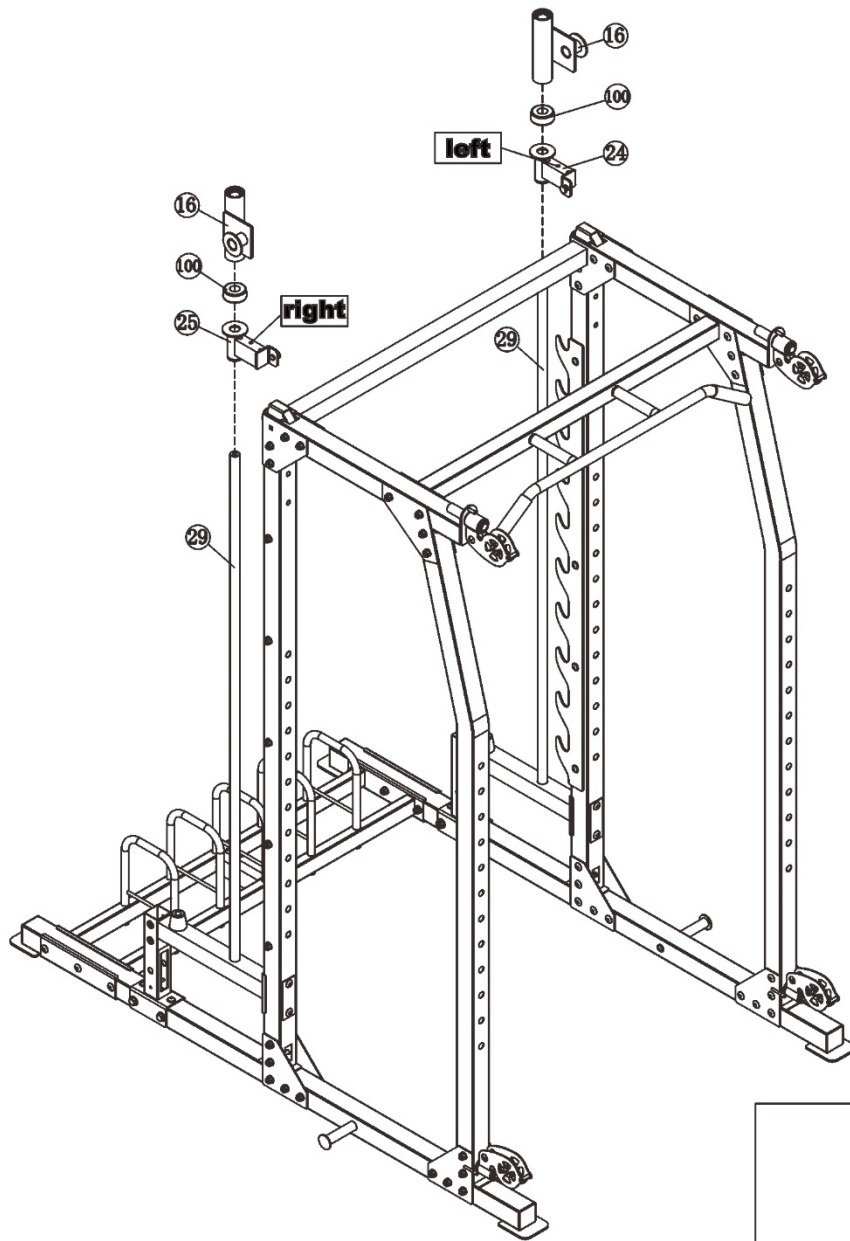
⑤③  10 M10× $3\frac{1}{8}$ "

⑥②  22 $\varnothing\frac{3}{4}$ "

⑥⑥  10 M10



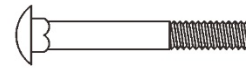
5



④⑥  2 M10× $\frac{3}{4}$ "

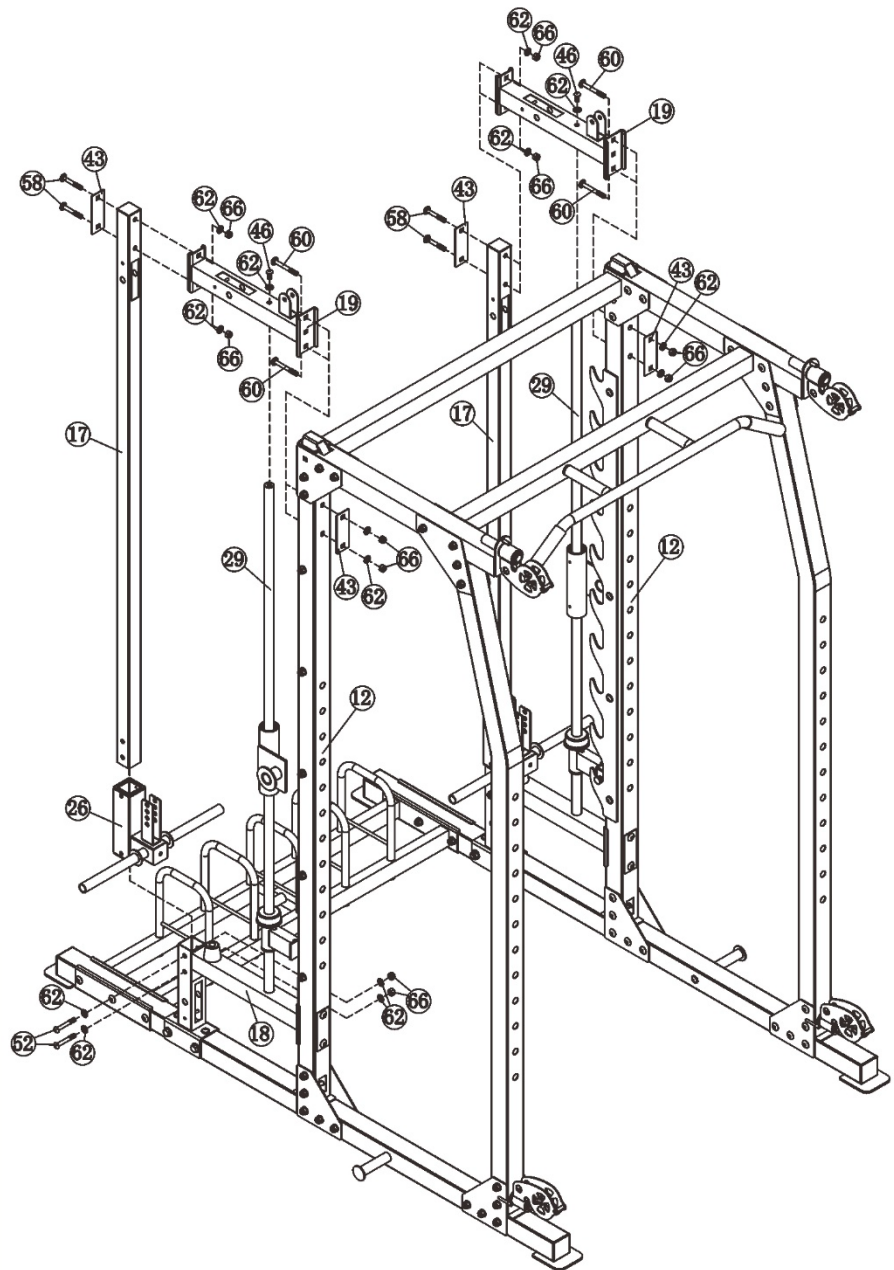
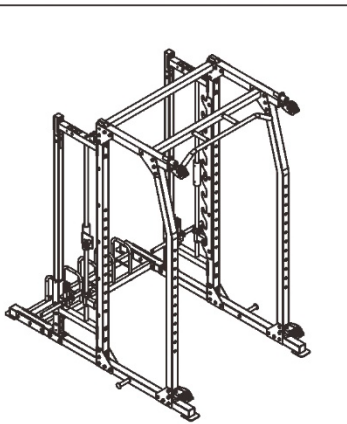
⑤②  4 M10×2 $\frac{1}{2}$ "

⑥①  4 M10×3 $\frac{1}{8}$ "

⑤⑧  4 M10×2 $\frac{1}{2}$ "

⑥②  18 $\varnothing \frac{3}{4}$ "

⑥⑥  12 M10



7

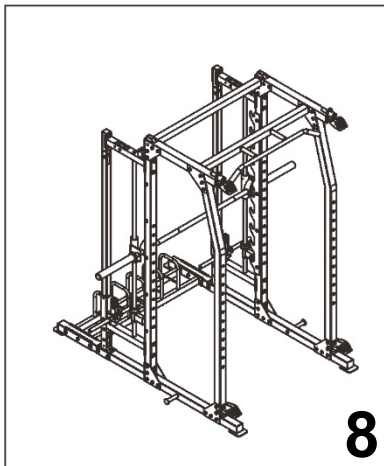
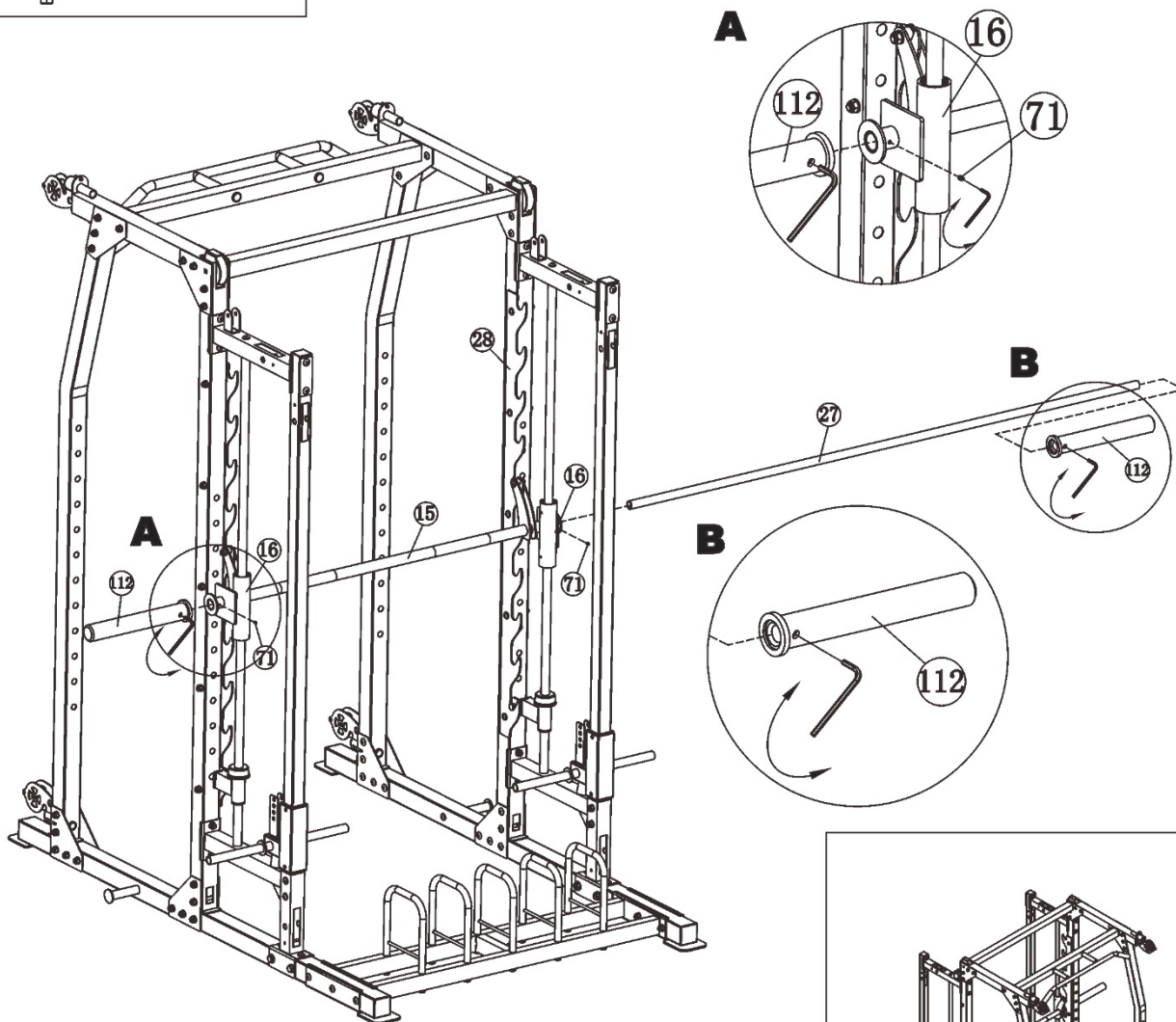
71



2 M6 × 1/4"

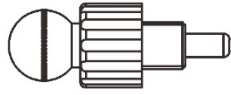


3# 4# Allen Wrench (Tool)



8

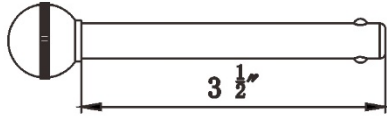
102



2

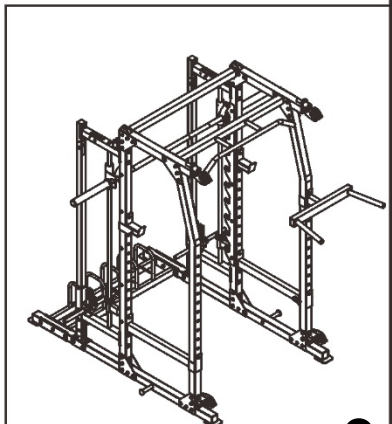
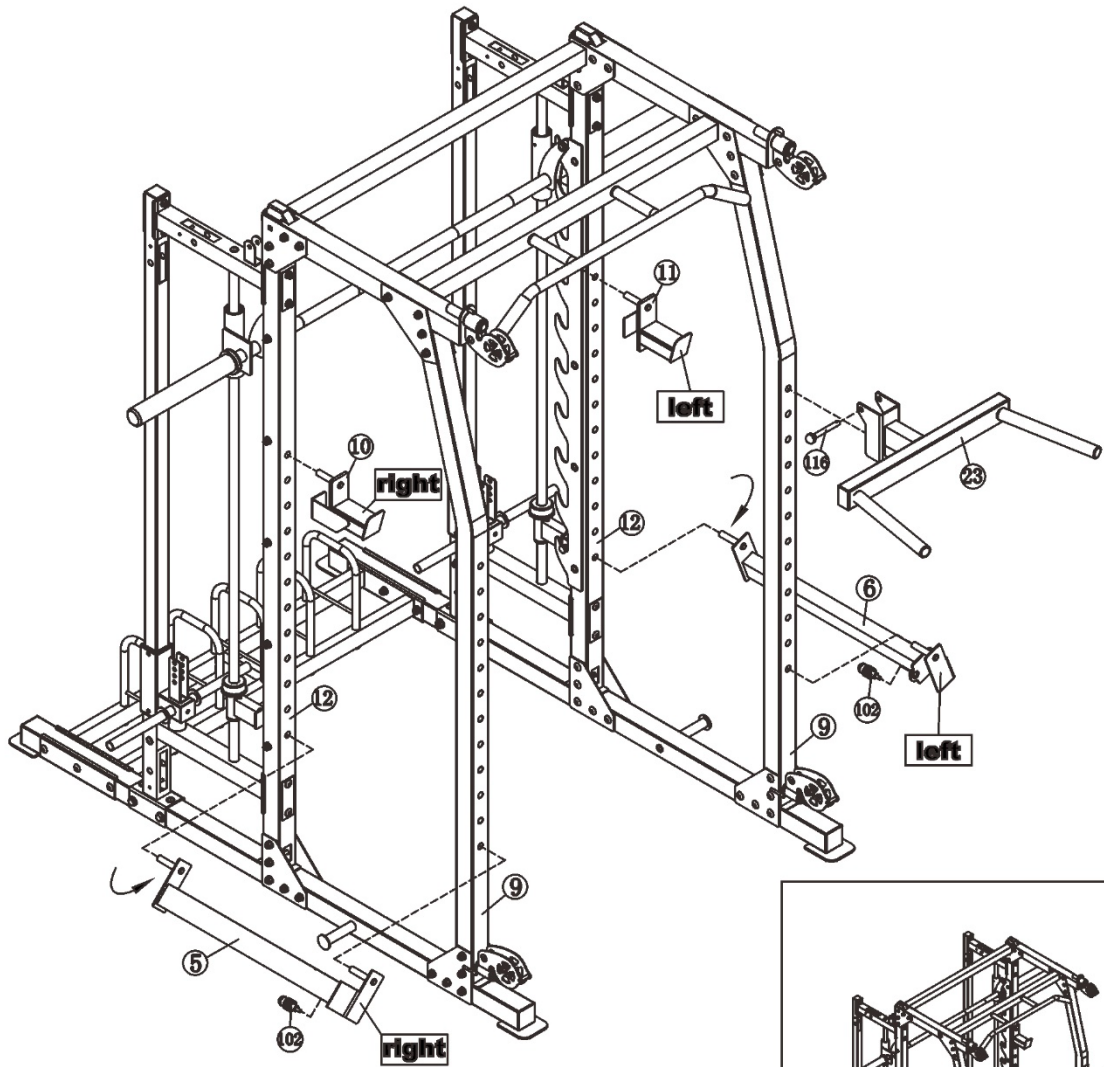
M16×1.5

116



1

$\varnothing \frac{1}{2} \times 3 \frac{1}{2}$



9

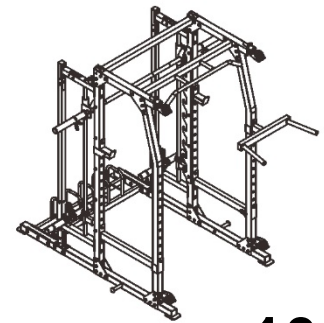
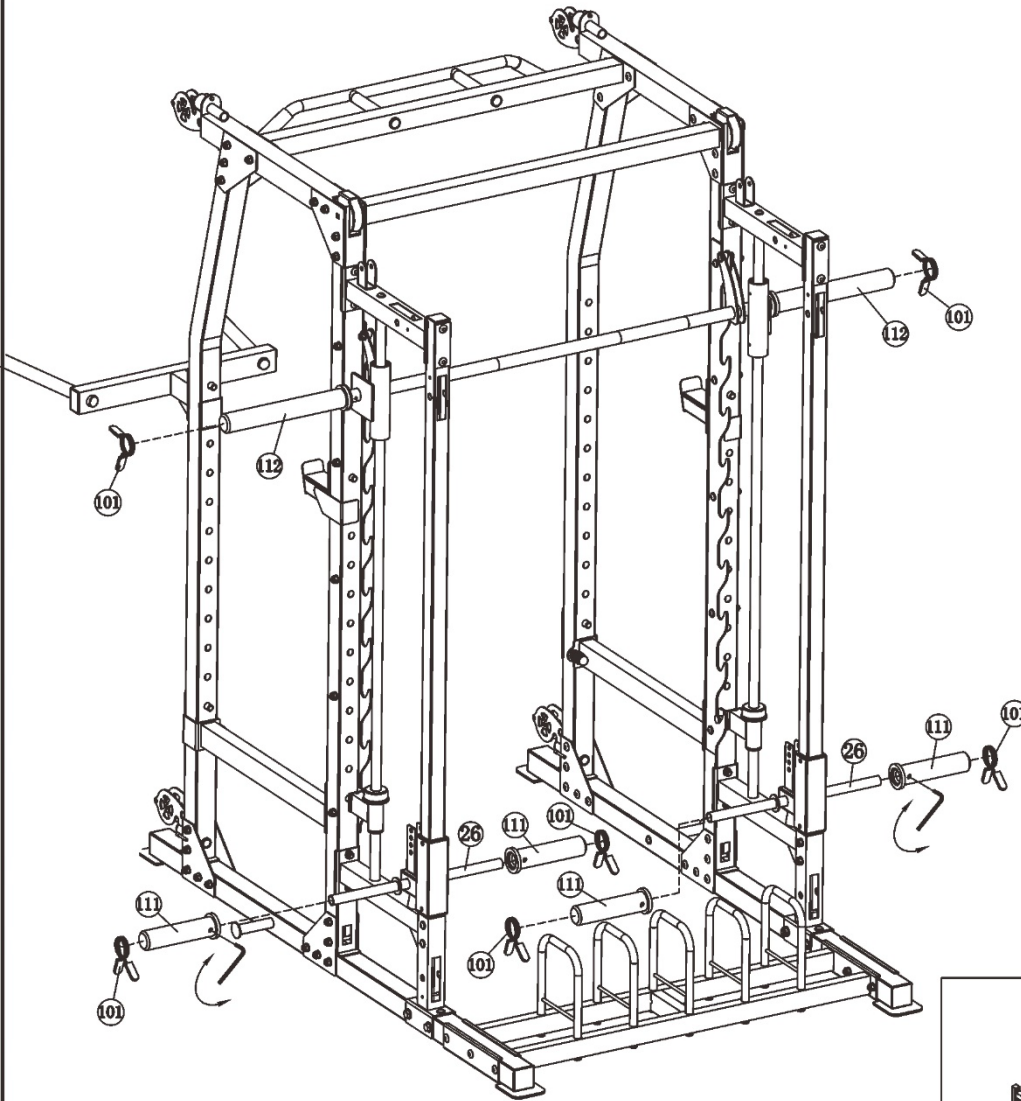
101



6



4# Allen Wrench (Tool)



10

47  2 M10×1 3/8"

49  6 M10×1 3/4"

50  2 M10×2"

51  2 M10×2 3/8"

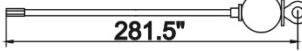
52  4 M10×2 1/2"

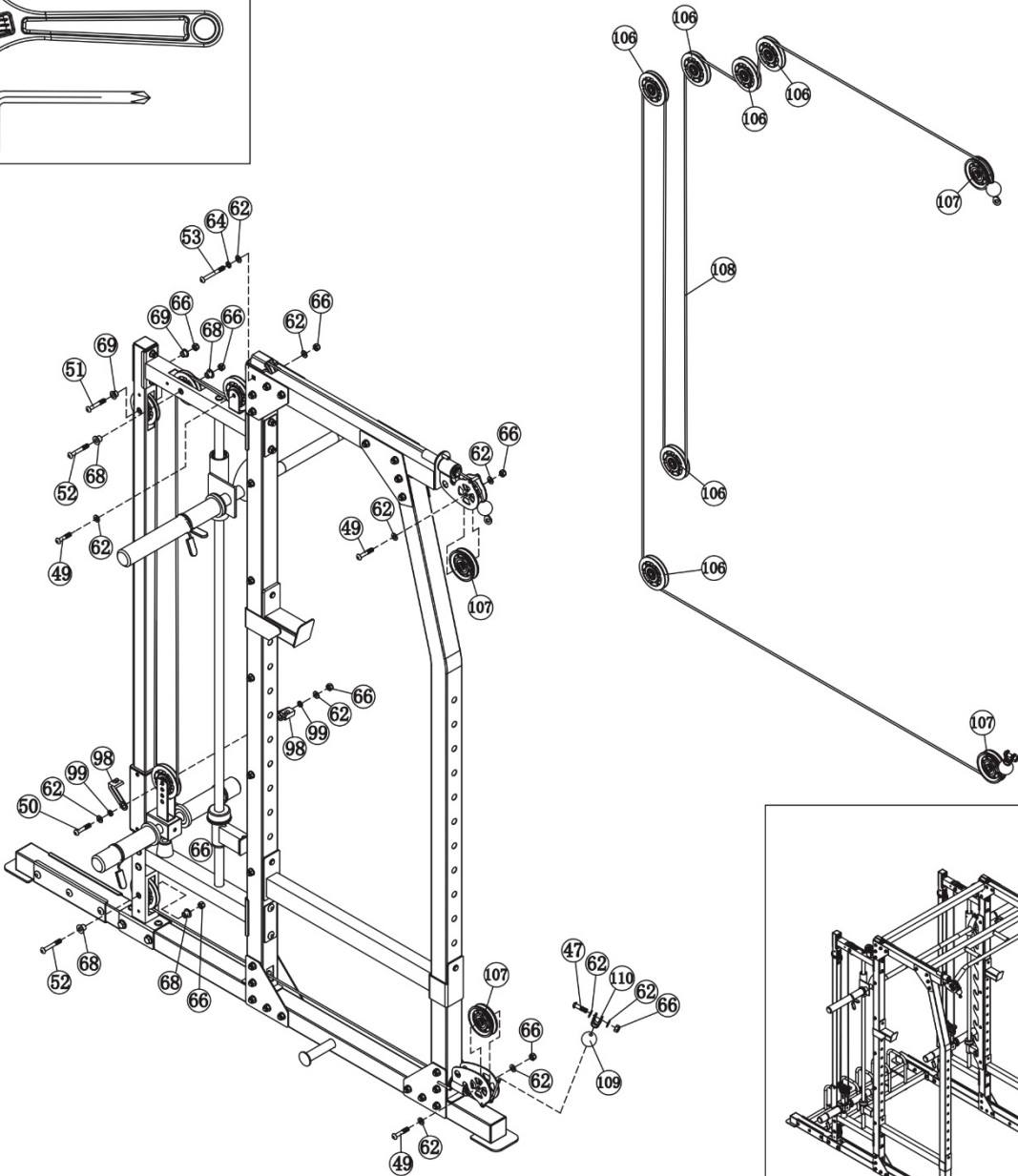
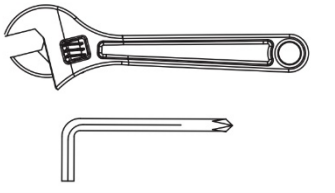
53  2 M10×3 1/8"

62  22 Ø 3/4"

64  2 Ø 3/4"

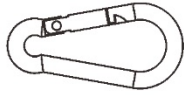
66  16 M10

108  281.5"

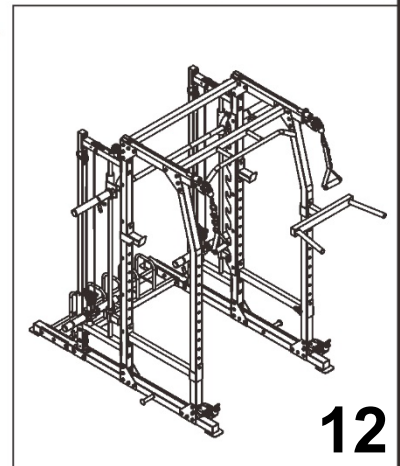
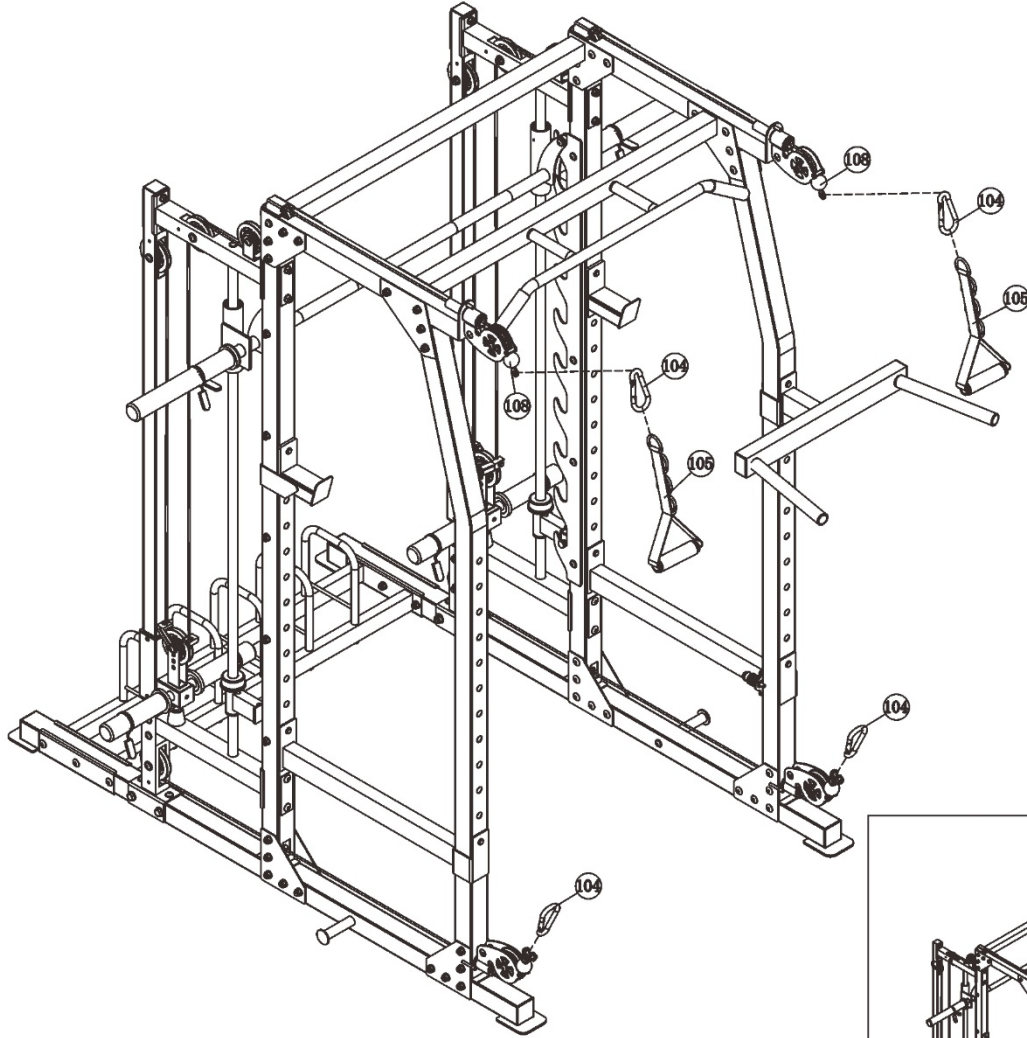


11

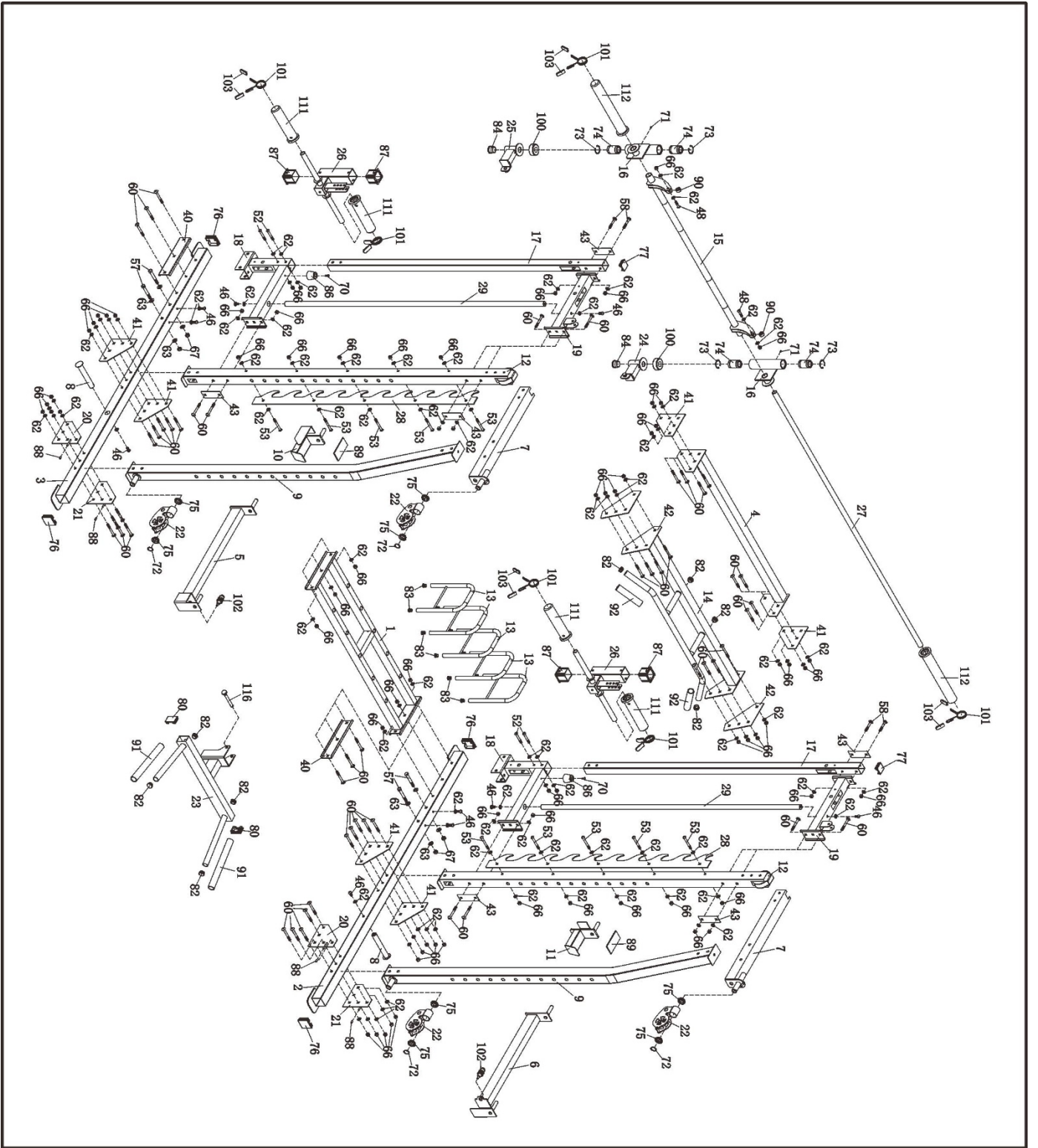
104

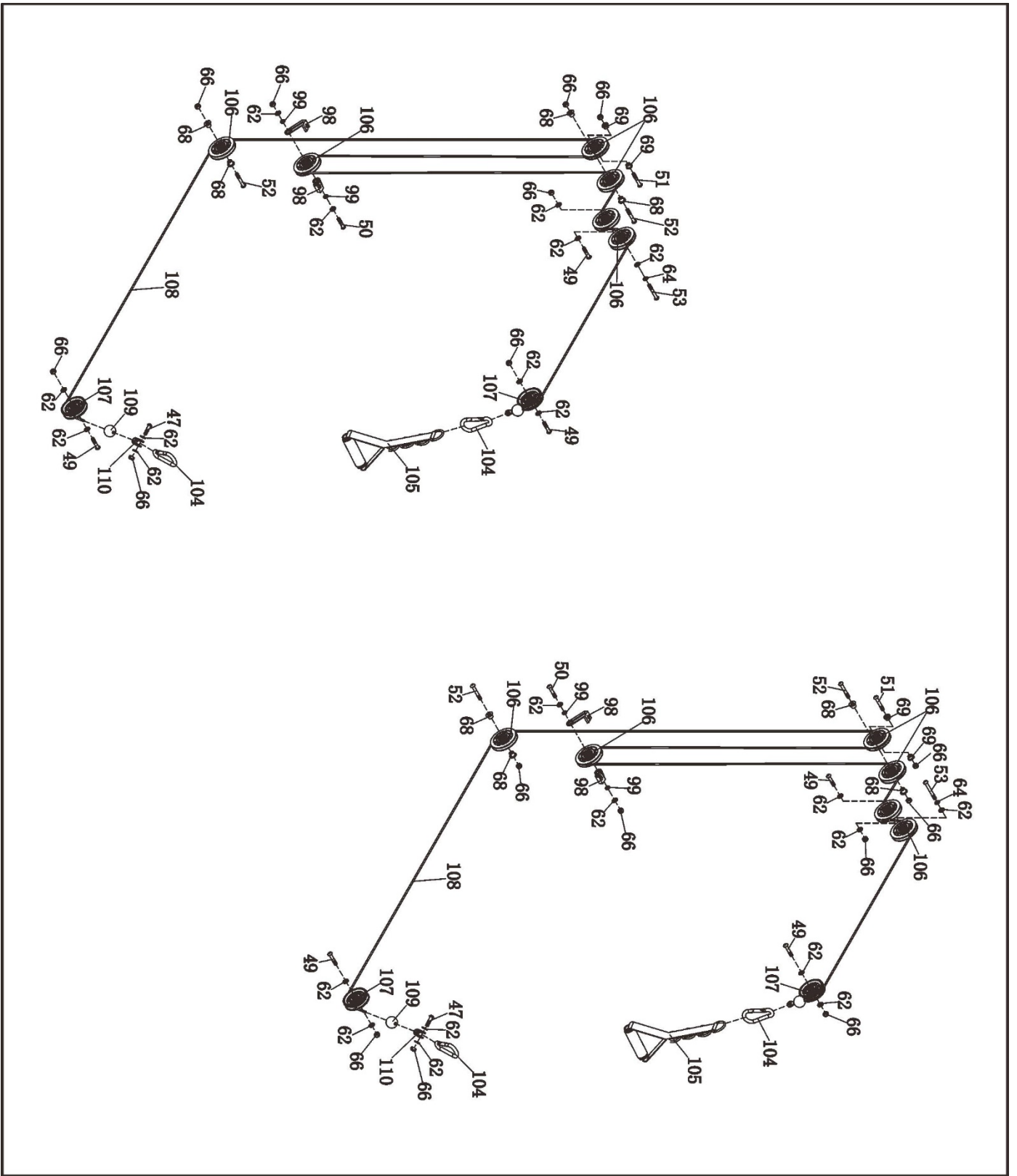


4 7# Clip hook



12





62



2

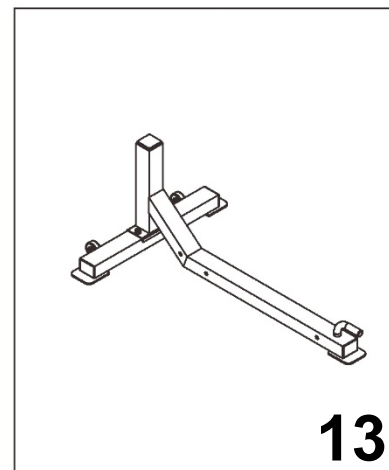
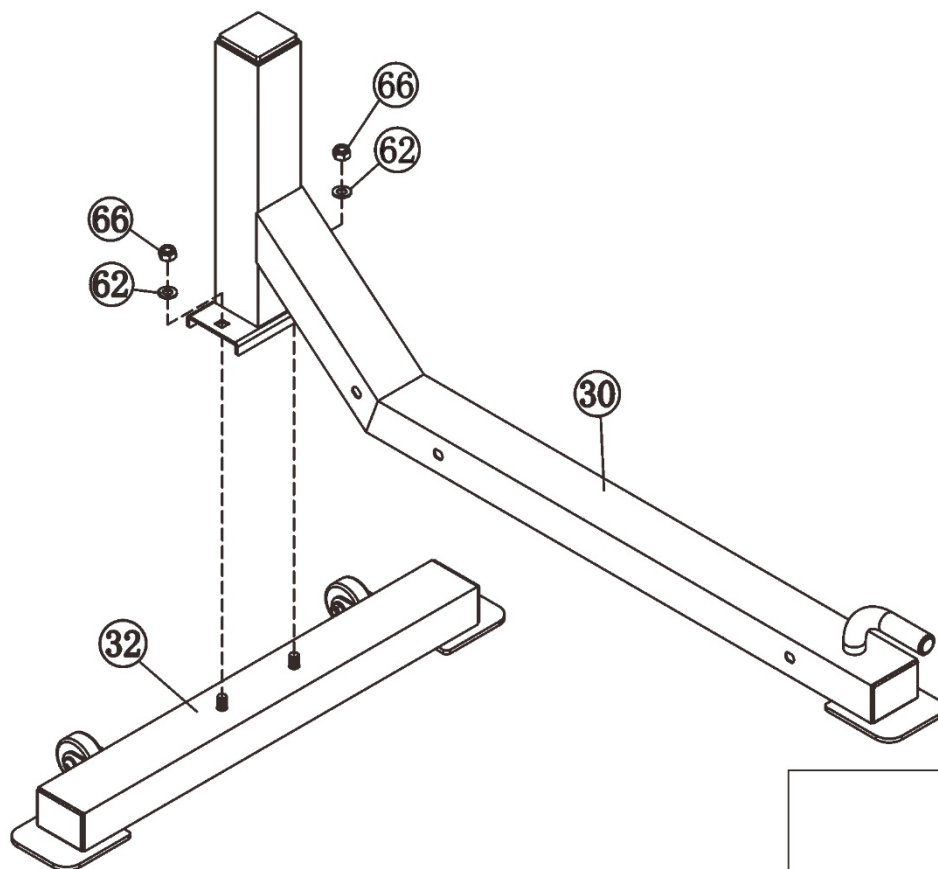
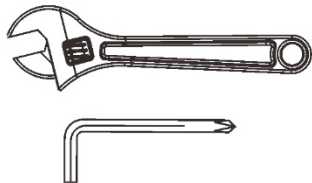
Ø 3/4"

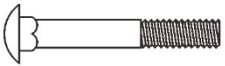

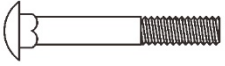

66

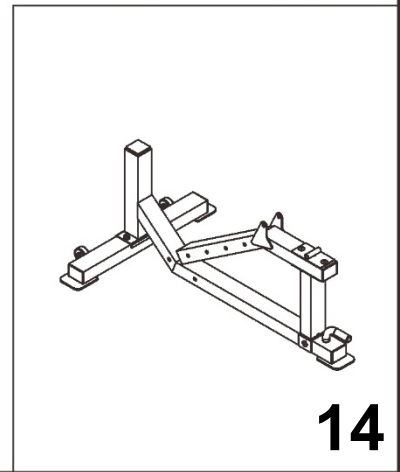
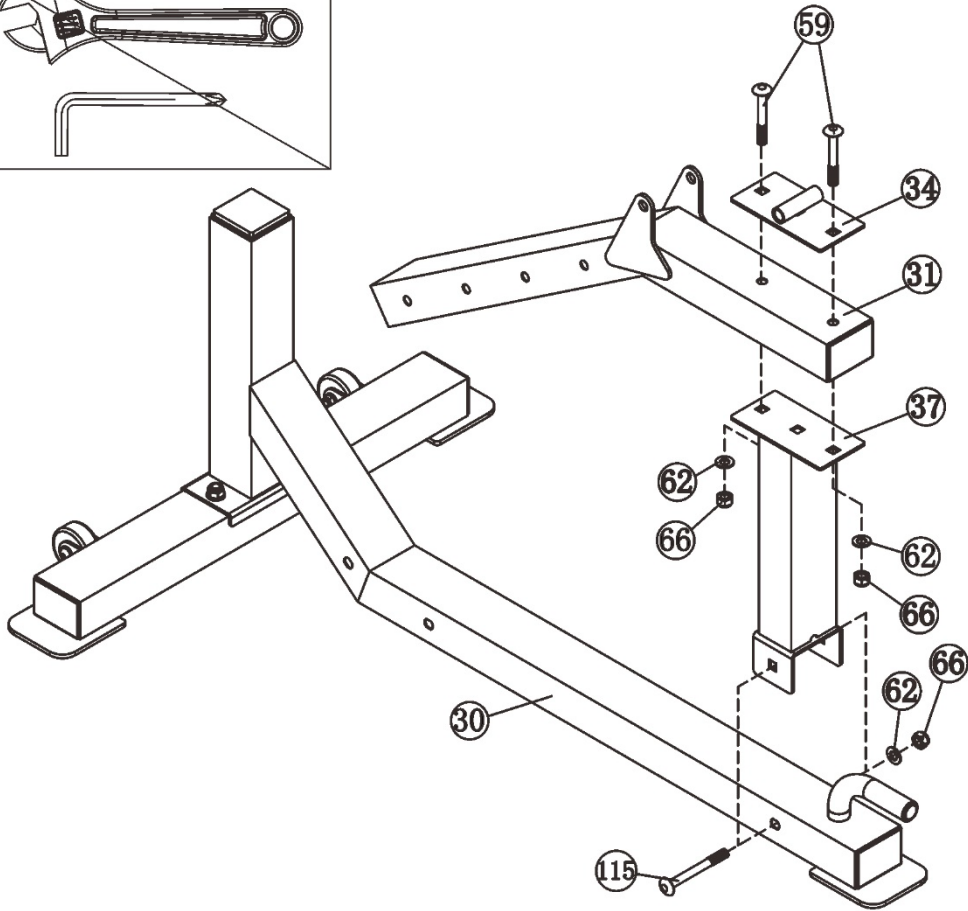
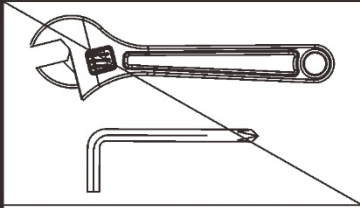






2

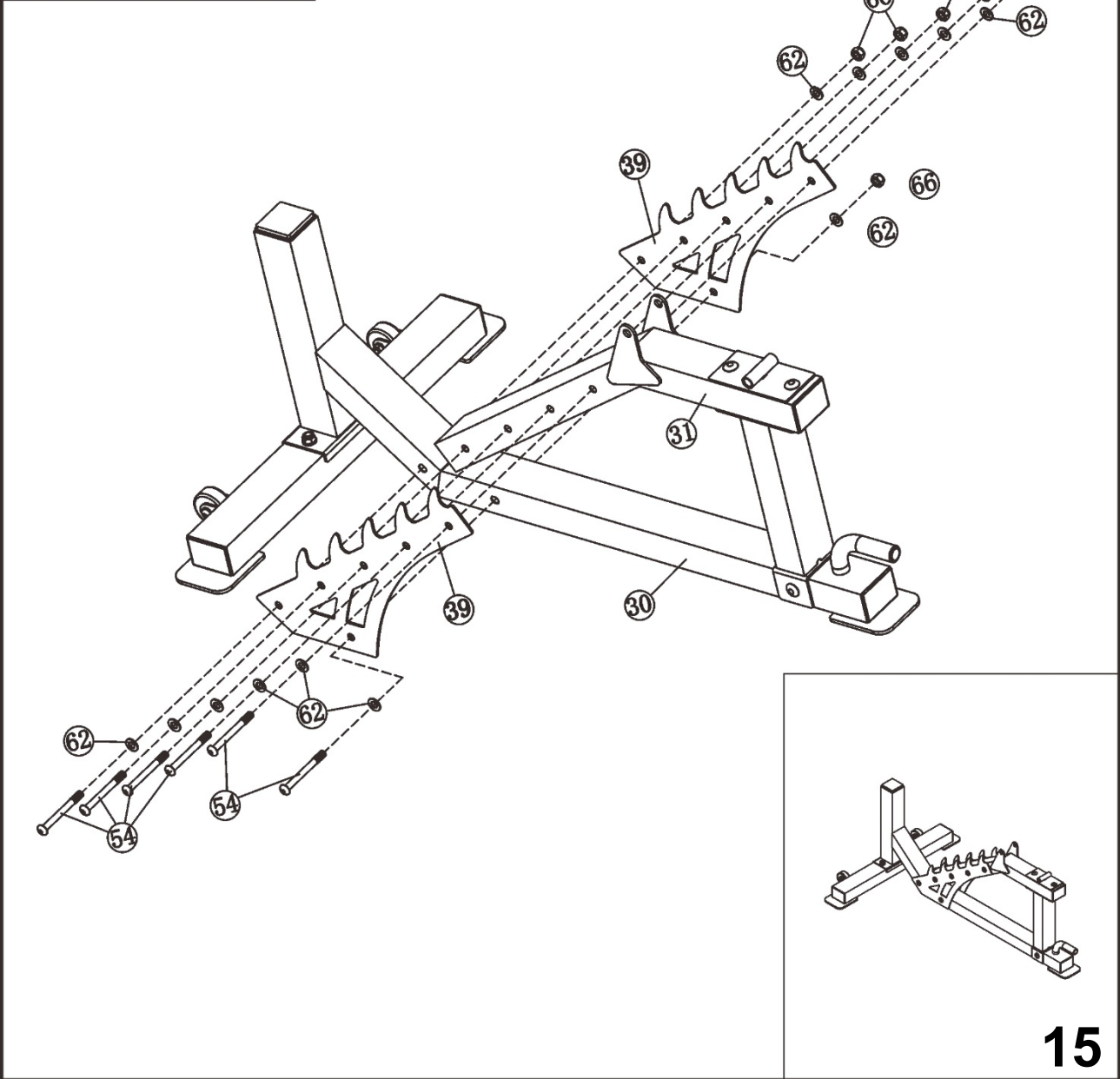
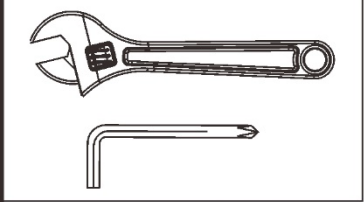
M10




59		2	M10×2 3/4"	66		3	M10
115		1	M10×3 1/2"				
62		3	Ø 3/4"				



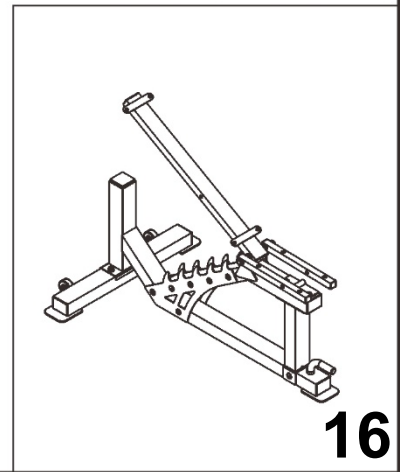
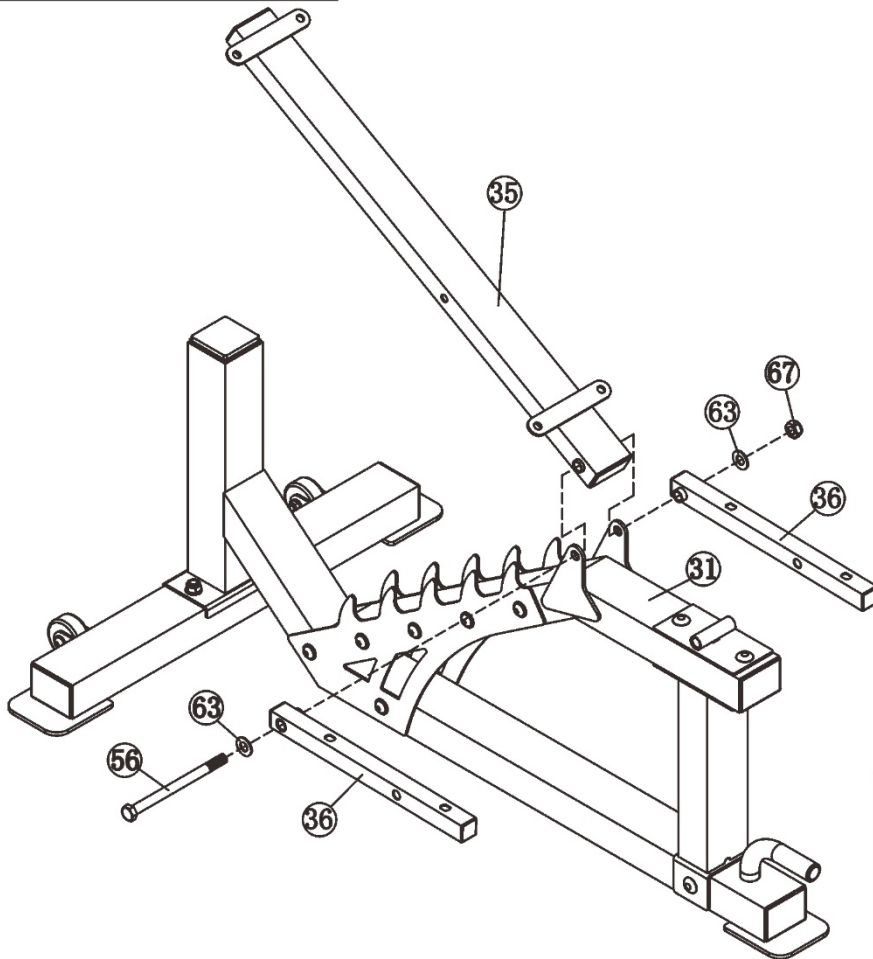
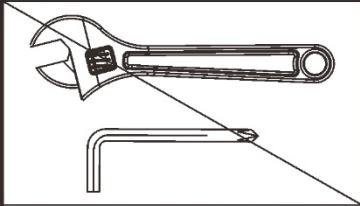
54		6	M10×3 1/2"	
62		12	Ø 3/4"	
66		6	M10	
				6# Allen Wrench (Tool)



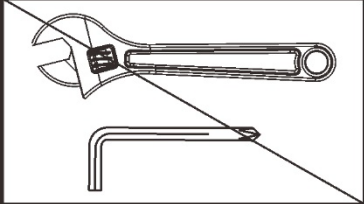
⑤⑥  1 M12× 6 1/4"

⑥③  2 Ø 1"

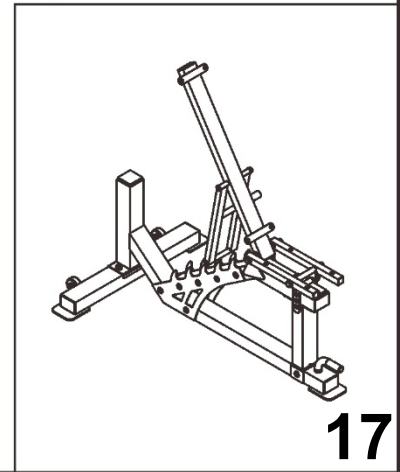
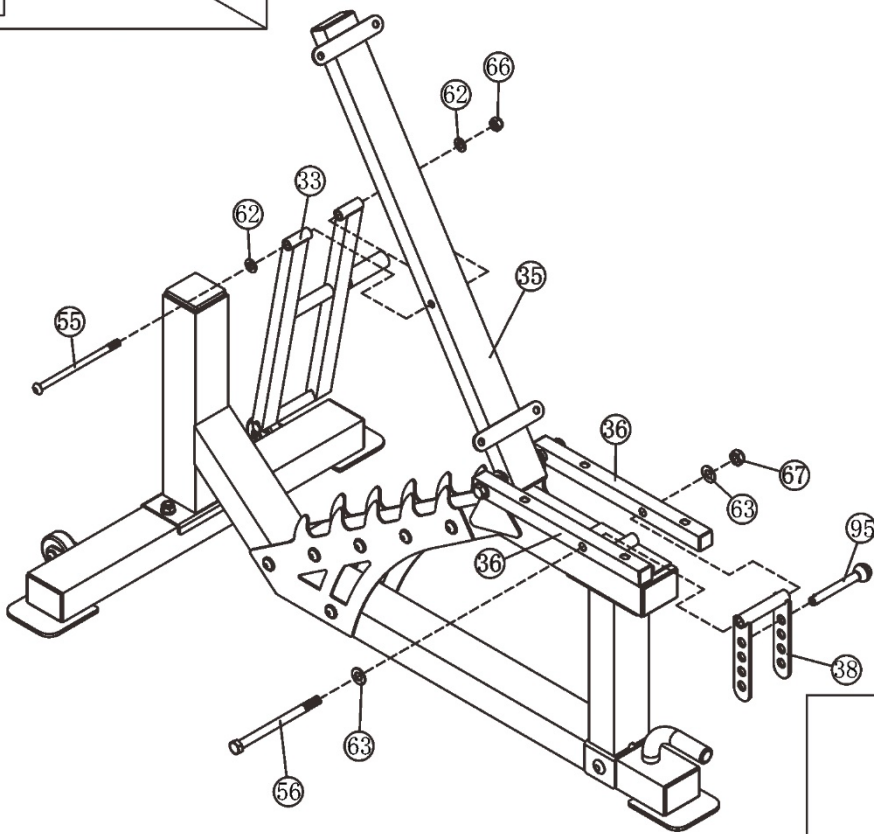
⑥⑦  1 M12



- | | | | | | | | |
|----|--|---|--------------|----|--|---|------|
| ⑤⑤ | | 1 | M10 × 6 1/4" | | | | |
| ⑤⑥ | | 1 | M12 × 6 1/4" | | | | |
| ⑥② | | 2 | Ø 3/4" | ⑥③ | | 2 | Ø 1" |
| ⑥⑥ | | 1 | M10 | ⑥⑦ | | 1 | M12 |
| ⑨⑤ | | 1 | Ø 1/2" × 4" | | | | |




6# Allen Wrench (Tool)

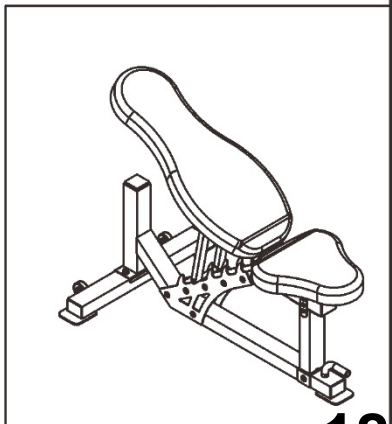
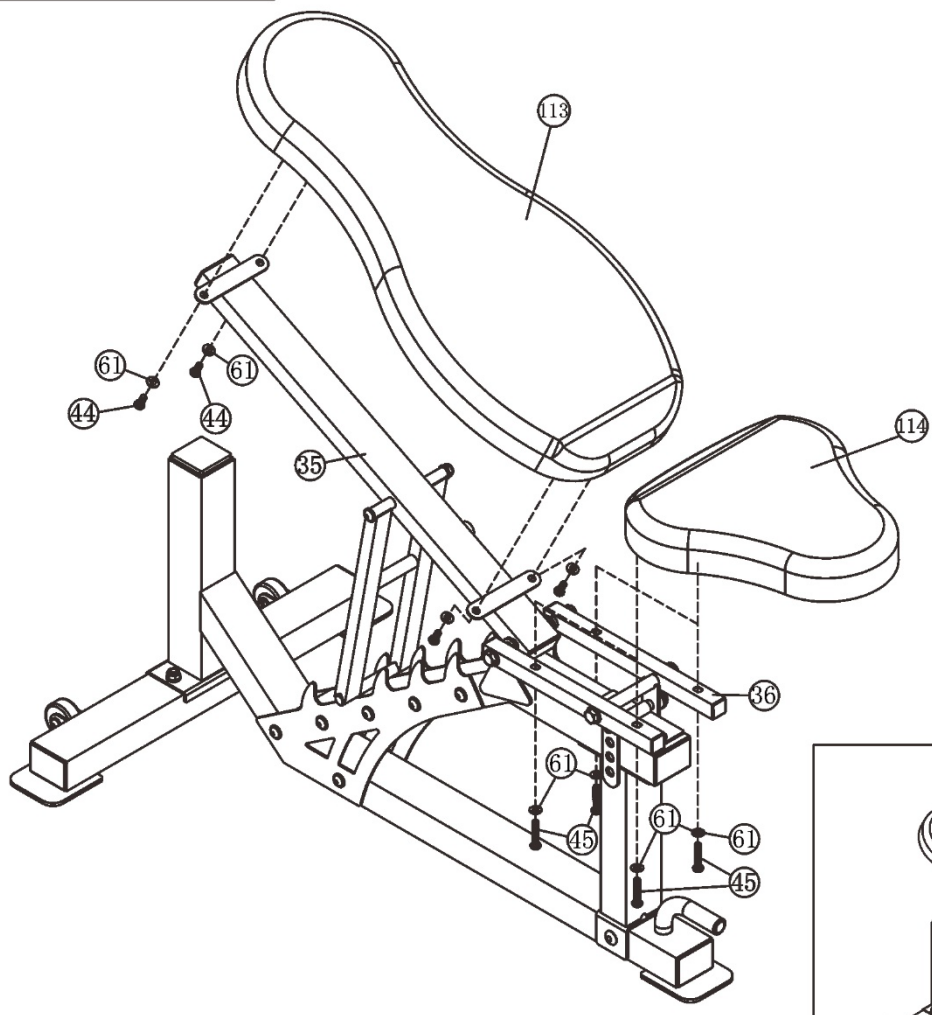
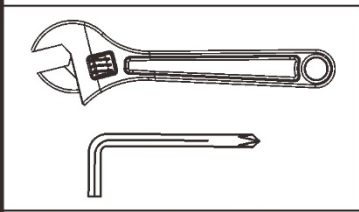


17

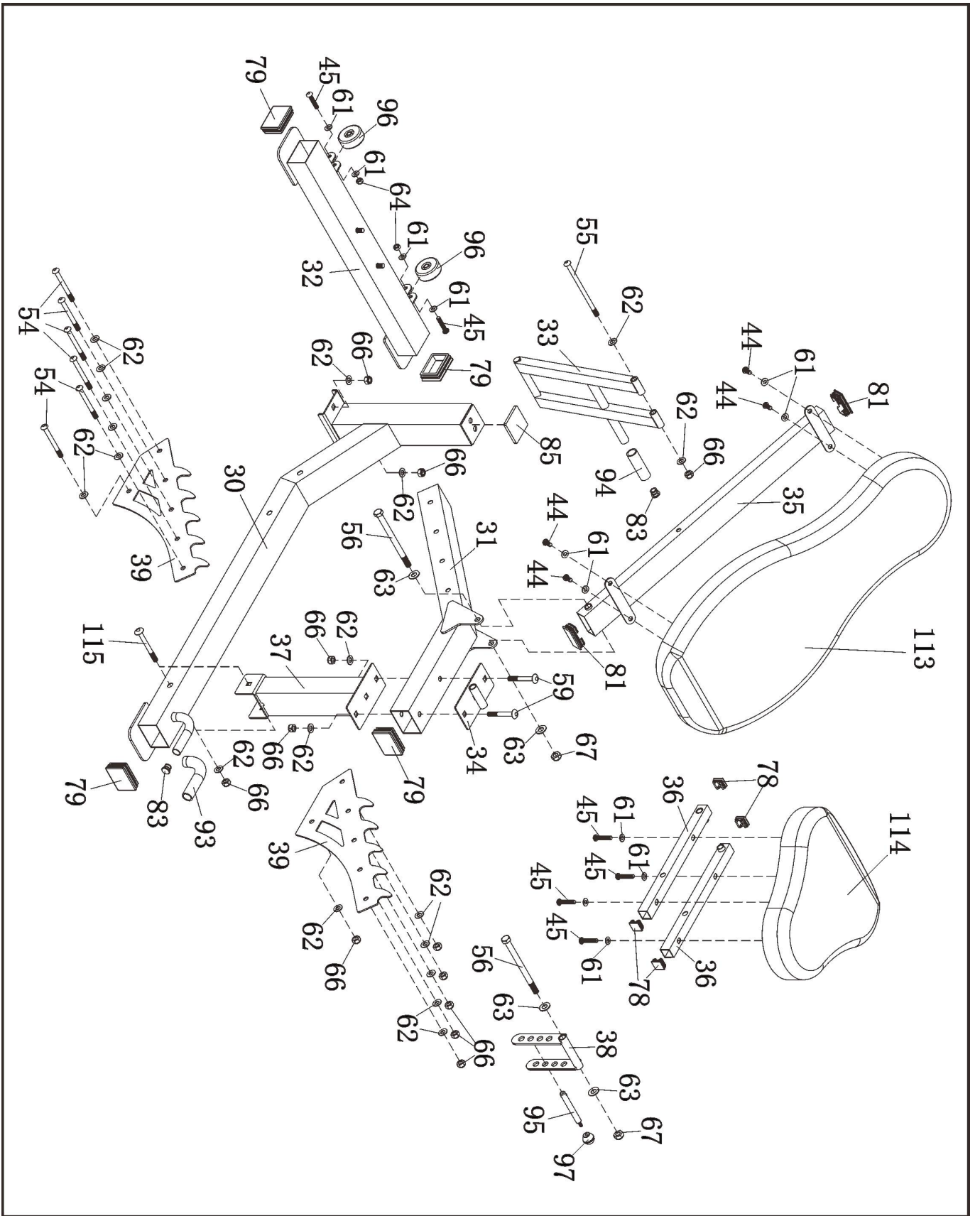
④④  4 M8 × 3/4"

④⑤  4 M8 × 1 1/2"

⑥①  8 Ø 5/8" 5# Allen Wrench (Tool)



18



IMPEX® INC.

2801 S. Towne Ave. Pomona, CA 91766

Tel: (800) 999-8899

www.marcypro.com

support@impex-fitness.com